



RGBW LED
CONTROLLER (V5)
TOUCH

OPERATING INSTRUCTIONS

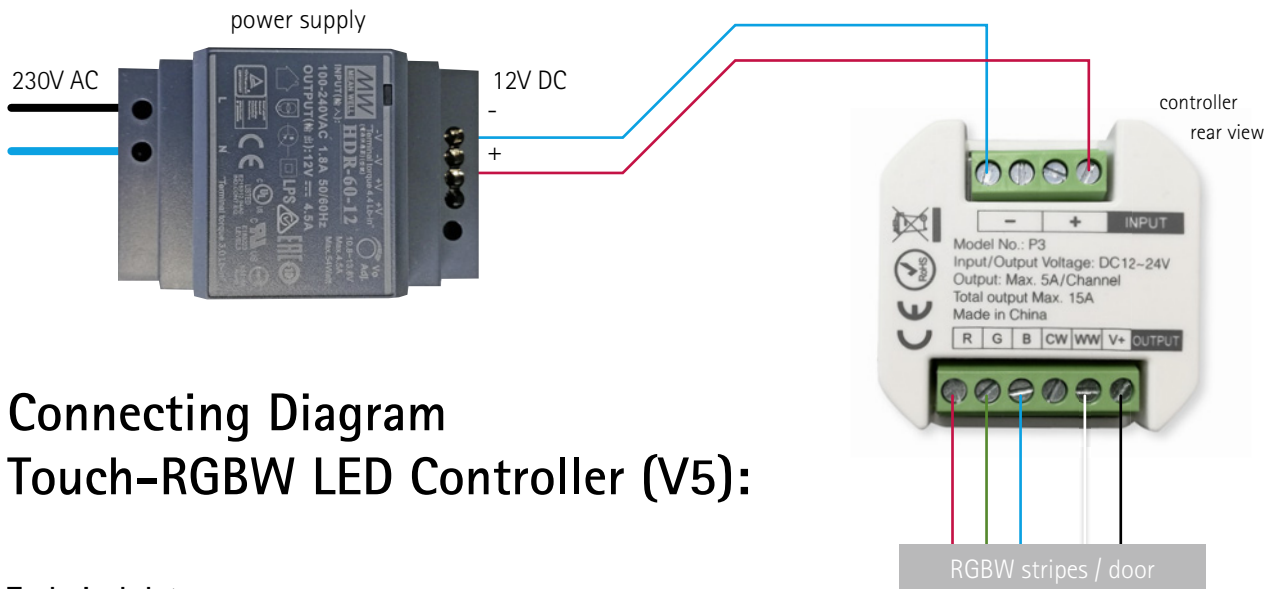


The elegant way of expressing your own style.





CONNECTING / INSTALLATION

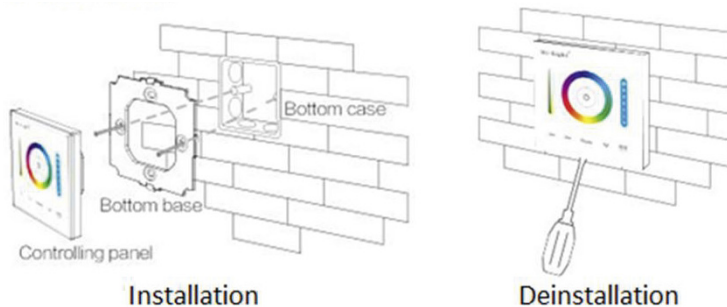


Connecting Diagram Touch-RGBW LED Controller (V5):

Technical data:

- Input voltage: 10,8 – 12V DC
- Power: 4A x 4 channels = Max 16A
- Max. output: 192W at 12V
- Temperature range: from -20°C to +60°C
- Dimensions (LxBxH): 86mm x 86mm x 36 mm

Installation:

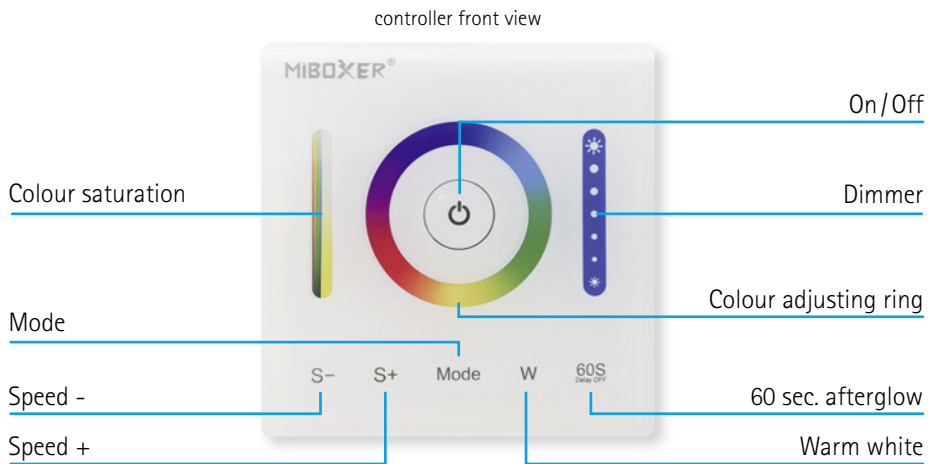


| colour of the cable | Controller |
|---------------------|------------|
| red | R |
| green | G |
| blue | B |
| white | WW |
| black | V+ |
| free | CW |



FUNCTIONS

Functions of the keys:



Functions of the controller (via mode button):

| | | |
|--|-----------------------------------|-----------------------------|
| A: red | B: green | C: blue |
| D: all colours, soft transition | E: warm white, progressive | F: RGB change smooth |
| G: transition 7 colours | H: colour transition | I: transition red |
| J: transition green | K: transition blue | L: demo mode |

Turn off sound: Press "On/Off" when the light is switched off.

Turn on sound: Press "60 sec afterglow" when the light is switched off.

Note: Installation and connection must be done only by a qualified electrician.

The elegant way of expressing your own style.

